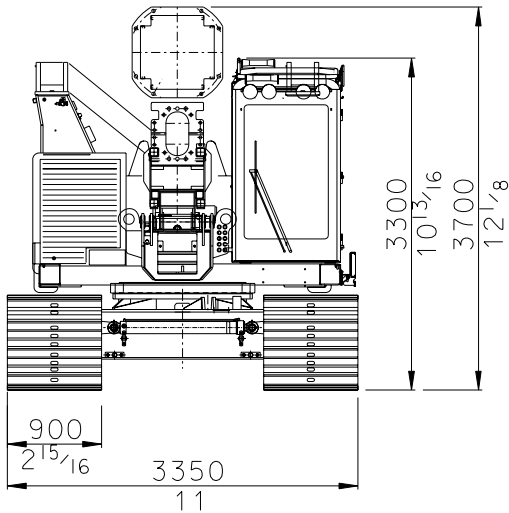
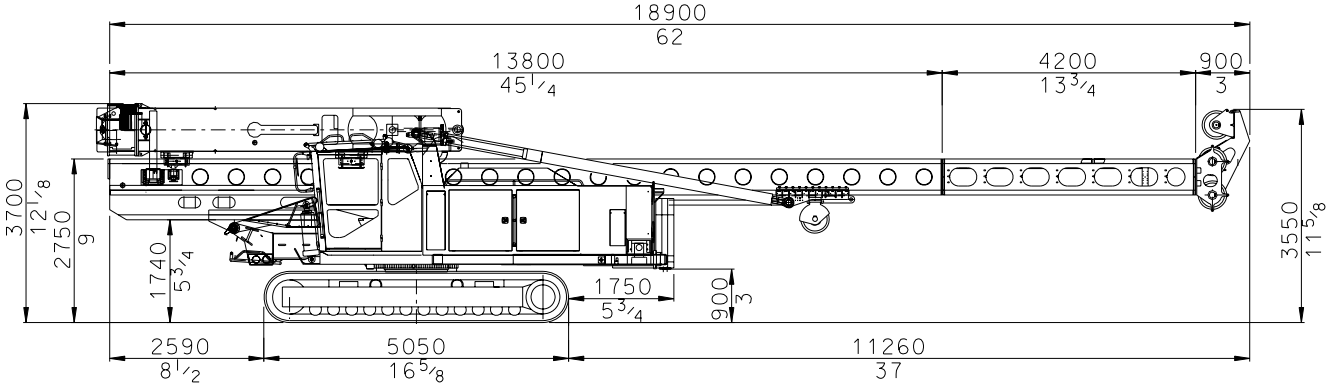


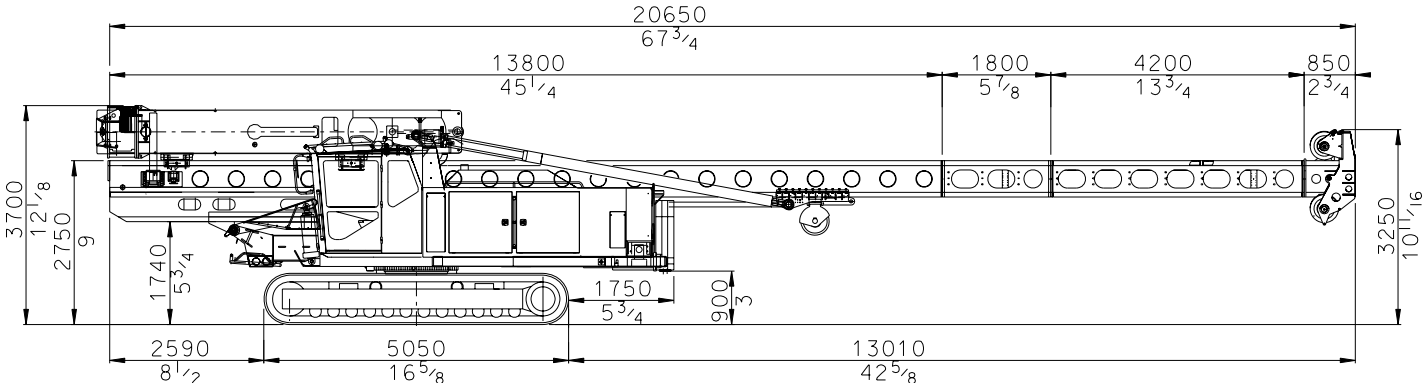
PM 20LC
Pile Driving Rig



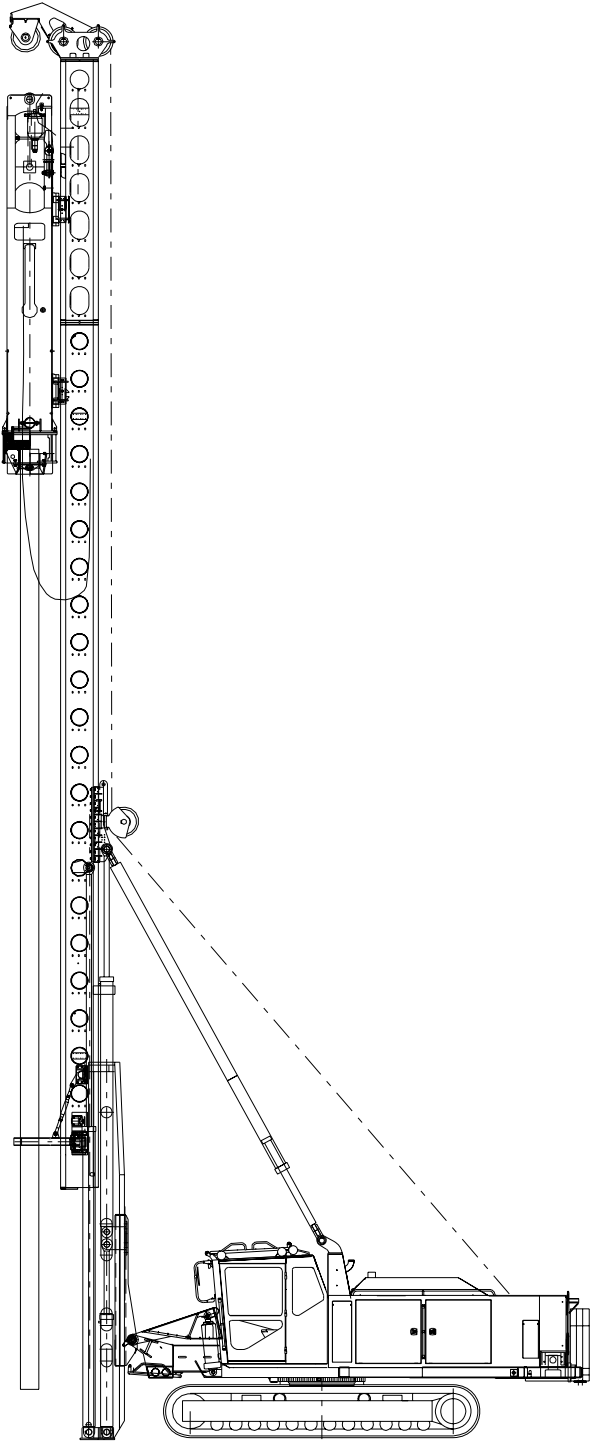
Minimum track width.



Standard PM 20LC transport dimensions with HHK 5A hammer.



PM 20LC transport dimensions with leader extension and HHK 5A hammer.

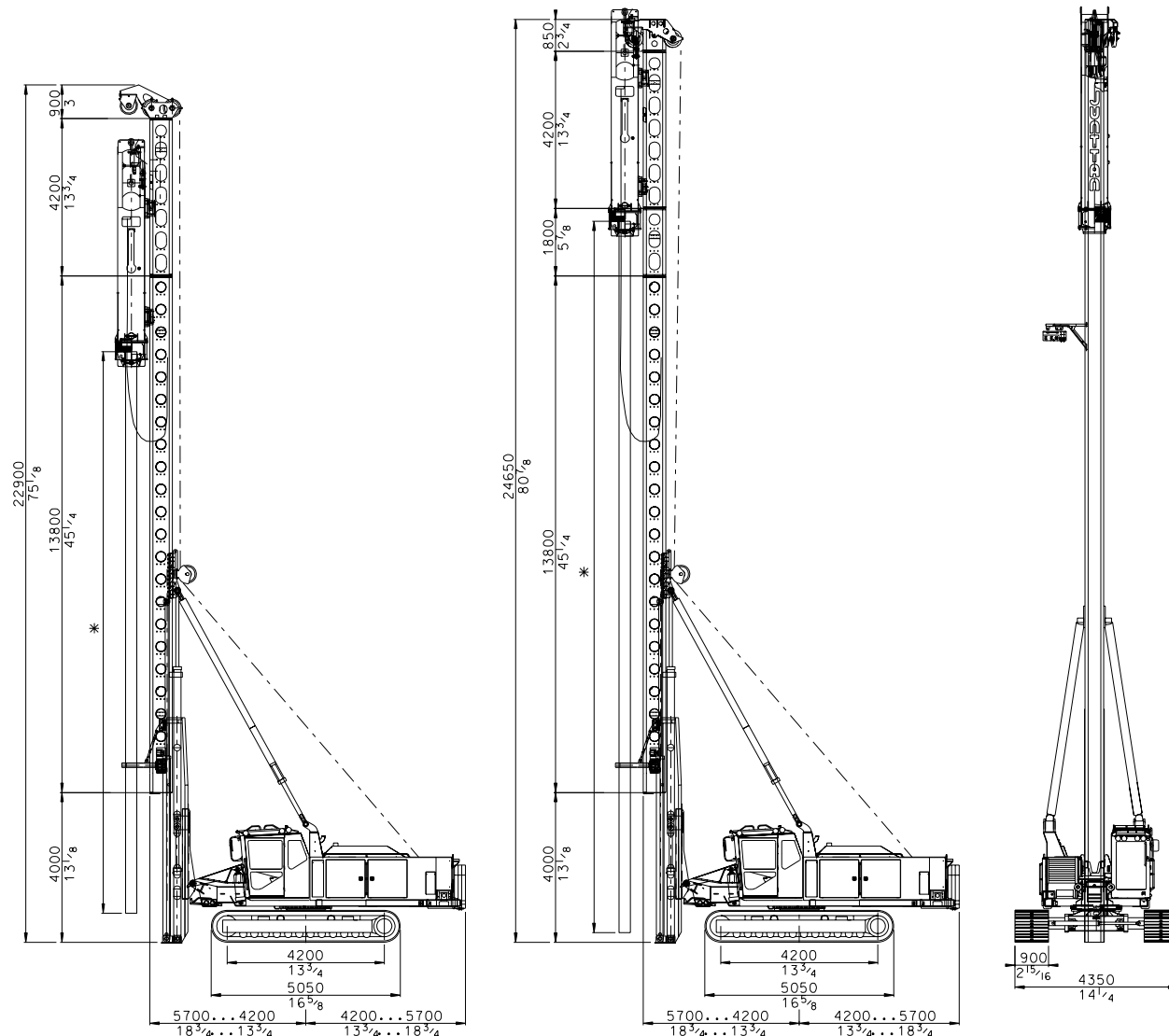


Junttan Oy reserves the right to amend the specification without prior notice. Error and misprints reserved. 02 March 2009 - version M120LC003.

General Information

Junttan PM 20LC is a compact piling rig for pile driving timber, steel and concrete piles. It has a bigger maximum capacity for pile and hammer load and a wider leader reach than its smaller brother PM 20L. The recommended hammer weight is from 4 000 to 5 000 kg and the maximum pile length is 19 meters (62 ft). The rig has proven productivity due to excellent mobility. The telescopic leader ensures easy and fast handling of piles. Top pile driving performance is guaranteed with Junttan hydraulic hammers. An optional side drill or vibrator hammer makes pile driving even more efficient in some soil conditions. Versatility of the rig can be increased with additional drilling equipment. With optional Junttan equipment, optimised working set-up of the rig can be easily achieved.

This Junttan piling rig has the same proven features as the bigger Junttan machines. Its rugged design makes it a safe and reliable rig even in the most demanding working conditions. The self-erecting leader and many advanced technical features ensure that the rig is ready to work in just a few minutes. The ergonomic and safety tested cabin allows the driver to concentrate completely on his work. The expandable tracks and low centre of gravity make the rig exceptionally stable in different working situations. The horizontal movement of the leader ensures fast spotting of the pile. Because of the compact size the rig can be easily transported to a new working site.



Standard PM 20LC with top cathead

PM 20LC with leader extension and side cathead

* Pile length depends on the hammer. See the table of hydraulic hammers beside.

Technical Data

| Leader | | | | |
|--------------------------------|---|--|----------|-------------------|
| Type | KE 209501 | | | |
| Length | Leader sections | m (ft) | 13.8+4.2 | (45 1/4 + 13 3/4) |
| | Total Length | m (ft) | 22.9 | (75 1/8) |
| Maximum capacity (pile+hammer) | | kg (lb) | 16 000 | (35 200) |
| Movements | Vertical movement up/down | mm (inch) | 1000/500 | (40/20) |
| | Horizontal movement max. | mm (inch) | 1500 | (59) |
| | Inclinations | According to a separate capacity table | | |
| Others | Hydraulic pile arms on leader Electronic leader inclinometer | | | |

| Uppercarriage | | | | |
|---------------|-------------------------------|-----------|--------------------------|----------|
| Winches | (single line pull, 1. layer) | | | |
| | Main winch (hammer) | kg (lb) | 10 000 | (22 000) |
| | Aux. winch (pile) | kg (lb) | 10 000 | (22 000) |
| Engine | Make and Model Cummins QSB6.7 | | | |
| | Power | kW (hp) | 179 | (240) |
| | Fuel tank volume | l (gal) | 600 | (158) |
| Hydraulics | Hydraulic oil tank volume | l (gal) | 600 | (158) |
| | Max. oil flow | l/min | 2x 160 + 86 at 2000 rpm | |
| | | (gpm) | (2x 42 + 23 at 2000 rpm) | |
| | Max. pressure | bar (psi) | 320 | (4640) |
| Counterweight | Weight | kg (lb) | 6 200 | (13 670) |

| Undercarriage | | | | |
|---------------------------------|-------------|------|-----------|--|
| Type | AV 20LC9201 | | | |
| Crawler length | mm (ft) | 5050 | (16 5/8) | |
| Min. width | mm (ft) | 3350 | (11) | |
| Max. width | mm (ft) | 4350 | (14 1/4) | |
| Triple grouser type track shoes | mm (ft) | 900 | (2 15/16) | |

| Transport dimensions | | | | |
|--|---------|--------|----------|--|
| Length | m (ft) | 18.9 | (62) | |
| Width | mm (ft) | 3350 | (11) | |
| Height without hammer | mm (ft) | 3550 | (11 5/8) | |
| Height with hammer | mm (ft) | 3700 | (12 1/8) | |
| Total weight | kg (lb) | 44 000 | (97 000) | |
| (excluding hammer, counterweight and any additional equipment) | | | | |

| Optional equipment | | | | |
|-------------------------------------|--|--|--|--|
| • Leader hinge | • Aux. II winch 5 000 kg (11 000 lb) | | | |
| • Leader extension 1.8 m (5 7/8 ft) | • Energy measuring device | | | |
| • Side cathead | • Flat track shoes | | | |
| • Side drill (JD 1.5 or JD 3) | • Narrow track shoes 800 mm (2 5/8 ft) | | | |
| • Stabilizers (rear legs) | • Wide VLC-crawler 3.1-4.5 m (10 3/16-14 3/4 ft) | | | |
| • Air conditioning for cabin | • Other accessories available on request | | | |
| • Vibrator | | | | |

| Approvals | | | | |
|---|--|--|--|--|
| Manufactured according to EN 996 standard | | | | |

| Hydraulic hammer examples for Junttan PM 20LC | | | | | |
|---|-------------|-------------------------|-------------------------|-------------------------|-------------------------|
| Model | | HHK 4A | HHK 4S | HHK 5A | HHK 5S |
| Max. energy | kNm (ft-lb) | 47 (34 780) | 59 (43 600) | 59 (43 600) | 74 (54 600) |
| Stroke | m (ft) | 0.05-1.2 (3/16-3 15/16) | 0.05-1.5 (3/16-4 15/16) | 0.05-1.2 (3/16-3 15/16) | 0.05-1.5 (3/16-4 15/16) |
| Blows (adjustable) | per min | 40-100 | 40-100 | 40-100 | 40-100 |
| Ram weight | kg (lb) | 4 000 (8 820) | 4 000 (8 820) | 5 000 (11 020) | 5 000 (11 020) |
| Total weight including drive cap | kg (lb) | 7 500 (16 530) | 7 900 (17 400) | 8 600 (18 960) | 9 000 (19 840) |
| Pile length without leader extension | m (ft) | 15 (49) | 15 (49) | 15 (49) | 14 (46) |
| Pile length with leader extension | m (ft) | 19 (62) | 19 (62) | 19 (62) | 18 (59) |