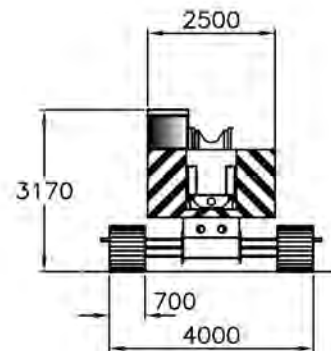


SOILMEC : CM48 #1821/#1822		
Base Carrier	Soilmec : CM48	
Eurocode	K2070900/#09,#10	
Torque (kN.m)	84	
Operating weight (t)	40	
Auxiliary winch pull (kN)	34.8	
CFA Drilling Data		
	Standard	Extension
Kelly Extension (m)		6
Max Drilling Depth (m)	19	25
Max Pile Diameter (mm)	900	900
Auger Extraction Force (kN)	510	510
Auger Crowd Force (kN)	29.4	29.4
Auger Length (m)	19.5	19.5



DRAWN JE
 CHECKED SA
 APPROVED SA
 DATE 20.02.07

CM48 #09,#10

DRAWING STATUS

Plant Information

SCALES 1:150

DRAWING No. 509/20#11	SHT No. 1/2	REV. 3
--------------------------	----------------	-----------

DATE REVISED 14.11.08

Working Platform Certificate (FPS/WPC/3)



Project Name	
Section / Activity	

Part 1 – WORKING PLATFORM DESIGN

Equipment to be used on site.	SOILMEC CM48 (06, 09, 10) PILING RIG CFA MODE
Maximum plant loading	Loadcase 1; Bearing Capacity 106kN/m ² ; Equivalent Track Length 2.82m
	Loadcase 2; Bearing Capacity 184kN/m ² ; Equivalent Track Length 1.75m
	Track Width 0.70m

(Note: 'Working Platforms for Tracked Plant: Good practice guide to the design, installation, maintenance and repair of ground-supported platforms' is available from BRE Bookshop – Tel 020 7505 6622)

Part 2 - WORKING PLATFORM INSTALLATION

The working platform on the above stated work site has been designed and installed to safely support the equipment detailed on this certificate and it will be maintained and repaired, and reinstated to the as installed condition after any excavation or damage, throughout the period when the equipment is on the site.

Signature		Name	
Position	Principal Contractor	Date	
Organisation		Address	

A completed copy of this certificate signed by the Principal Contractor must be given to each user of the working platform prior to commencement of any works on site.

The HSE has worked closely with the FPS to develop this initiative and supports the principle of reducing accidents by the certification of properly designed, prepared and maintained working platforms