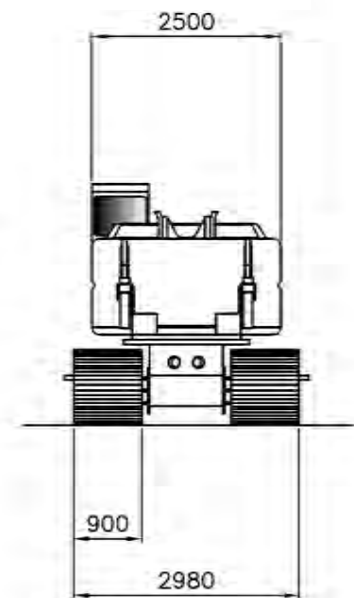
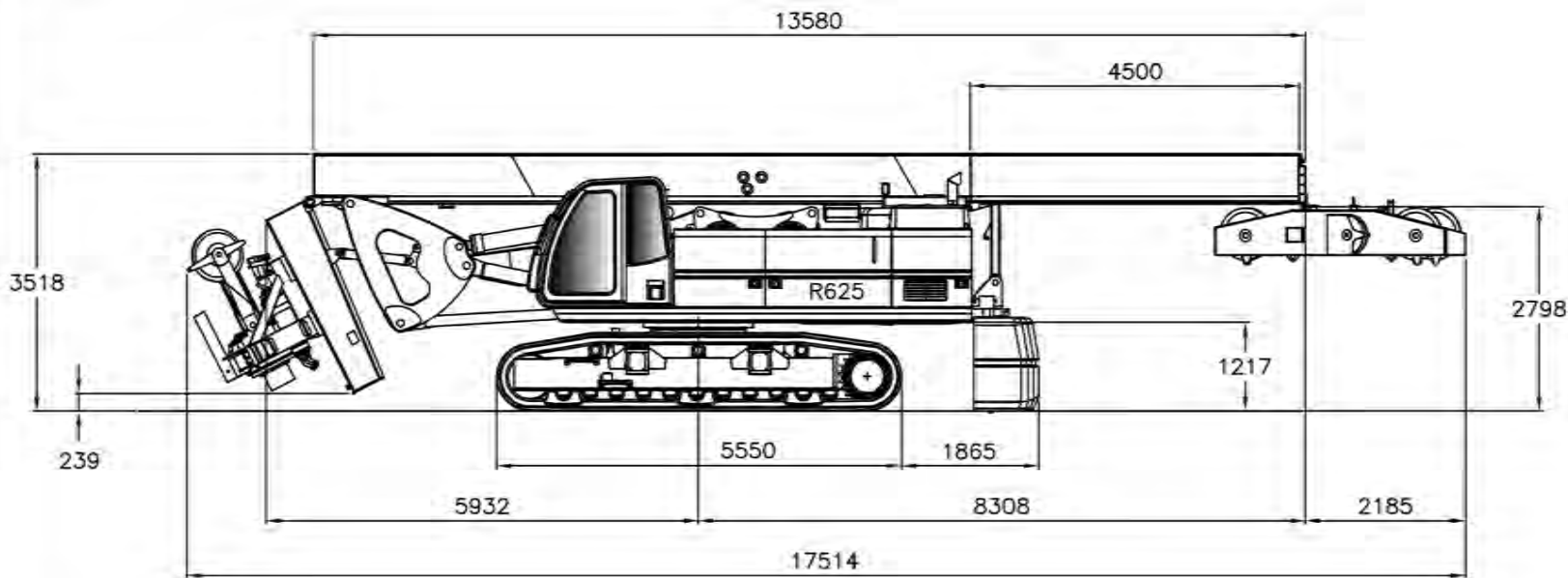


# Westpile

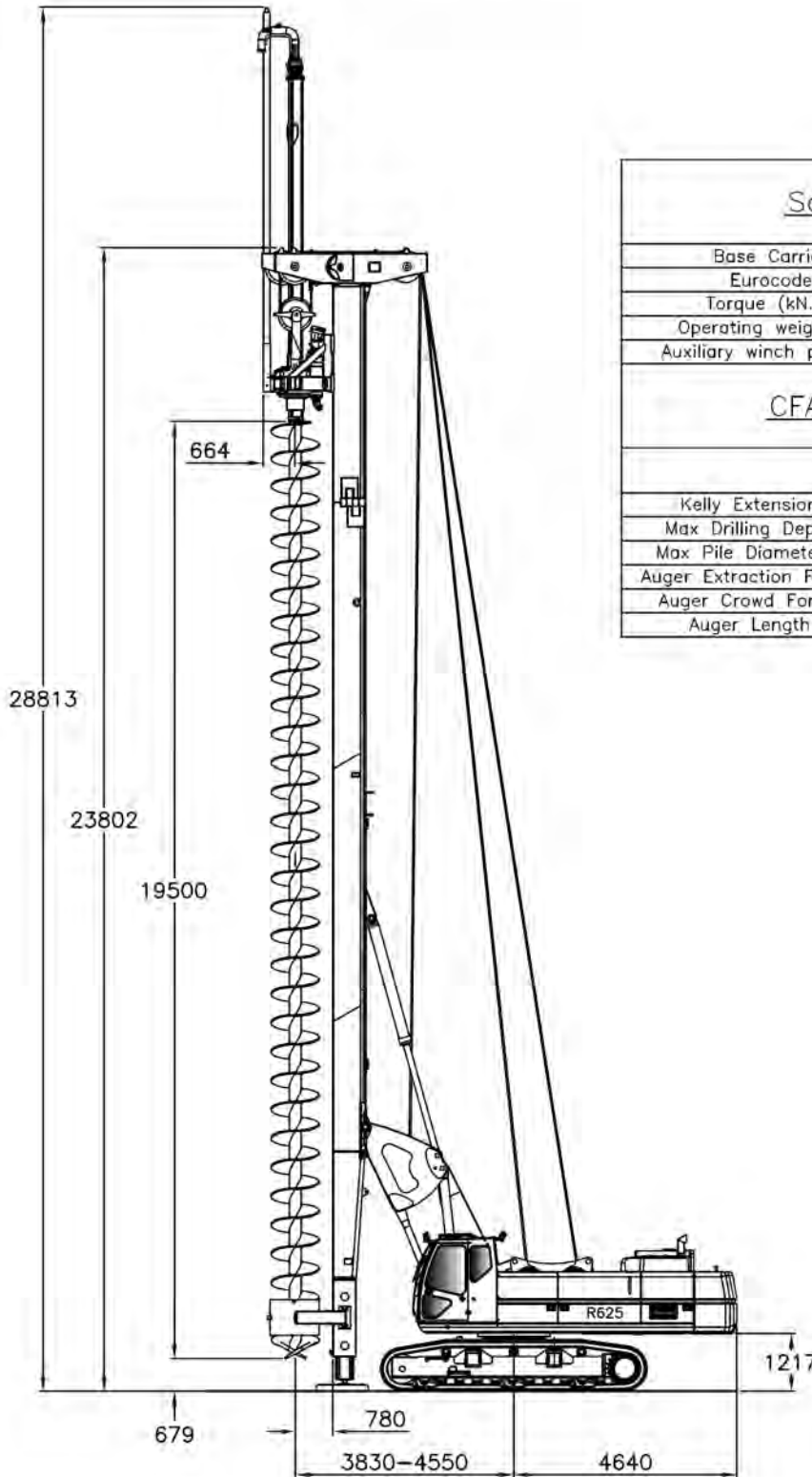
Westpile limited,  
 Unit 5,  
 Lidstone court,  
 Uxbridge Road,  
 George Green,  
 Buckinghamshire  
 SL3 6AG  
 Tel: 01753 215350  
 Fax: 01753 534653  
 www.westpile.co.uk



DRAWN	JE	<table border="1"> <tr> <th colspan="2">Transport Data</th> <th>(kg)</th> </tr> <tr> <td colspan="2">Base Machine/Rotary Drive/Counterweight</td> <td>48840</td> </tr> <tr> <td colspan="2">Mast Foot and Auger Gates</td> <td>TBA</td> </tr> <tr> <td colspan="2"> </td> <td> </td> </tr> </table>	Transport Data		(kg)	Base Machine/Rotary Drive/Counterweight		48840	Mast Foot and Auger Gates		TBA				<p style="text-align: center; font-size: 2em;">R625 CFA</p>	<p>SCALES 1:100</p>		
Transport Data			(kg)															
Base Machine/Rotary Drive/Counterweight			48840															
Mast Foot and Auger Gates			TBA															
CHECKED	SA	<table border="1"> <tr> <td>DRAWING No.</td> <td>SHT No.</td> <td>REV.</td> </tr> <tr> <td>509/20#34</td> <td>2/2</td> <td>4</td> </tr> </table>	DRAWING No.	SHT No.	REV.	509/20#34	2/2	4										
DRAWING No.	SHT No.		REV.															
509/20#34	2/2		4															
APPROVED	SA																	
DATE	27.02.07	<table border="1"> <tr> <td>DRAWING STATUS</td> <td>Plant Information</td> </tr> </table>	DRAWING STATUS	Plant Information	<table border="1"> <tr> <td>DATE REVISD</td> <td>20.11.08</td> </tr> </table>	DATE REVISD	20.11.08											
DRAWING STATUS	Plant Information																	
DATE REVISD	20.11.08																	

# Westpile

Westpile limited,  
 Unit 5,  
 Lidstone court,  
 Uxbridge Road,  
 George Green,  
 Buckinghamshire  
 SL3 6AG  
 Tel: 01753 215350  
 Fax: 01753 534653  
 www.westpile.co.uk

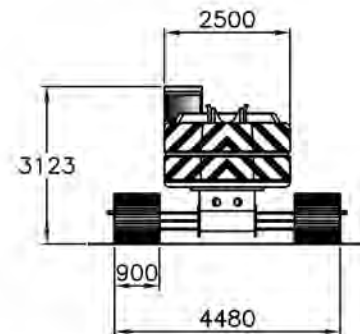


### Soilmec: R625

Base Carrier	Soilmec : R625
Eurocode	R625
Torque (kN.m)	250
Operating weight (t)	79
Auxiliary winch pull (kN)	140

### CFA Drilling Data

	Standard	Extension
Kelly Extension (m)		6
Max Drilling Depth (m)	19	25
Max Pile Diameter (mm)	1200	1200
Auger Extraction Force (kN)	732	732
Auger Crowd Force (kN)	320	320
Auger Length (m)	19.5	19.5



DRAWN JE  
 CHECKED SA  
 APPROVED SA  
 DATE 29.05.07

DRAWING STATUS

R625 CFA Mode

Plant Information

SCALES 1:150

DRAWING No.	SHT No.	REV.
509/20#34	1/2	4

DATE REVISD 20.11.08

# Working Platform Certificate (FPS/WPC/3)



<b>Project Name</b>	
<b>Section / Activity</b>	

## **Part 1 – WORKING PLATFORM DESIGN**

Equipment to be used on site.	SOILMEC R625HD PILING RIG CFA MODE
Maximum plant loading	Loadcase 1; Bearing Capacity 177kN/m <sup>2</sup> ; Equivalent Track Length 3.03m
	Loadcase 2; Bearing Capacity 250kN/m <sup>2</sup> ; Equivalent Track Length 2.10m
	Track Width 0.90m

(Note: 'Working Platforms for Tracked Plant: Good practice guide to the design, installation, maintenance and repair of ground-supported platforms' is available from BRE Bookshop – Tel 020 7505 6622)

## **Part 2 - WORKING PLATFORM INSTALLATION**

The working platform on the above stated work site has been designed and installed to safely support the equipment detailed on this certificate and it will be maintained and repaired, and reinstated to the as installed condition after any excavation or damage, throughout the period when the equipment is on the site.

Signature		Name	
Position	Principal Contractor	Date	
Organisation		Address	

**A completed copy of this certificate signed by the Principal Contractor must be given to each user of the working platform prior to commencement of any works on site.**

The HSE has worked closely with the FPS to develop this initiative and supports the principle of reducing accidents by the certification of properly designed, prepared and maintained working platforms